

This lens is adopted the "ED glass" and is able to correct the aberrations enough under the visible ray and the infrared ray. Image Size:  $\frac{1}{3}$   $\frac{1}{4}$

[SPECIFICATIONS]

Focal Length :  5 - 55mm

Maximum Relative Aperture :  1:1.4

Iris :    F1.4 - Approx.360  
   (With ND Spot Filter)

Angular Field of View :  53.1X40.0 deg. at 5mm  
   4.8X 3.6 deg. at 55mm

Image Format :   4.8X3.6mm (D6mm)

Minimum Object Distance :  0.3m at 5mm  
   0.8m at 55mm(From Front Vertex)

Optical Back Focal Distance : More than 11.47mm (In Air)

Flange Back :   12.5mm

Operation Voltage :  Close to Open : Less than 4.0V  
   Open to Close : More than 0.5V

Operation :   Focus : Manual  
   Zoom : Manual  
   Iris : IG(Auto Close System)

Operation Temperature :  -10 to +50 C °

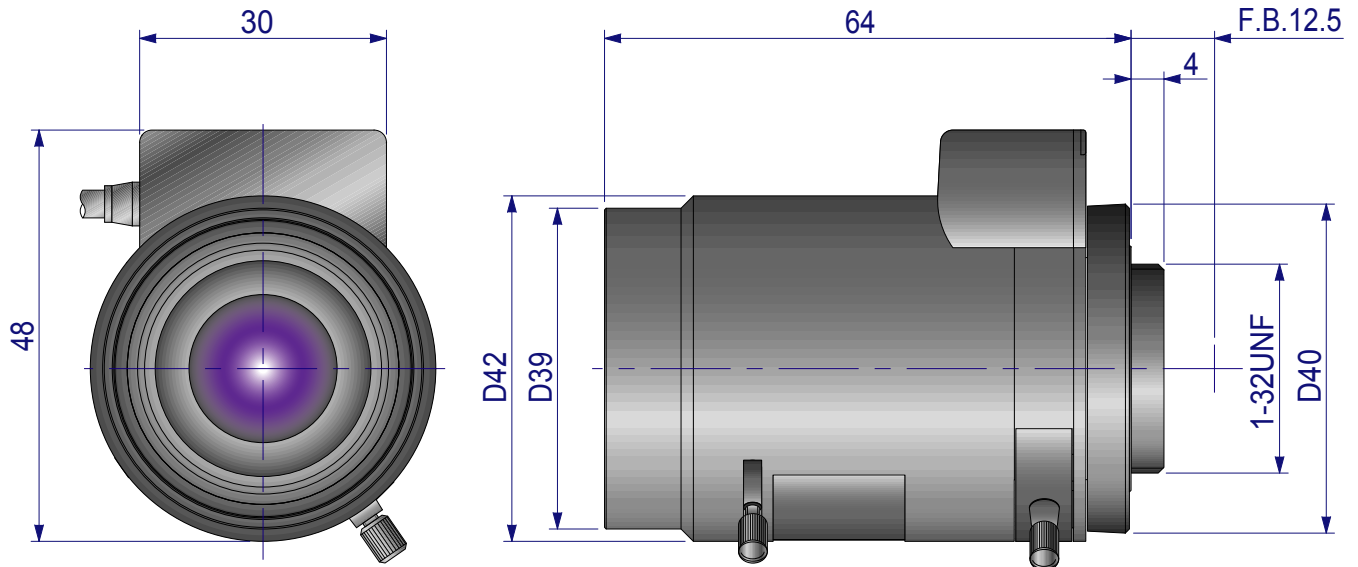
Mount :    CS-Mount (Adjustable Lens Position)

Size, Weight :   D42X50X64mm

[COMPOSITION]

Lens .....1  
 Lens Cap .....1  
 Dust Cap .....1

[DIMENSIONS]



Unit:mm

[CIRCUIT DIAGRAM]

