

SPACECOM

High Speed Aperture

Aspherical TAV2712DC



[SPECIFICATIONS] "ASPHERICAL", "DAY&NIGHT", "HIGH SEED APERTURE" VARI FOCAL LENS

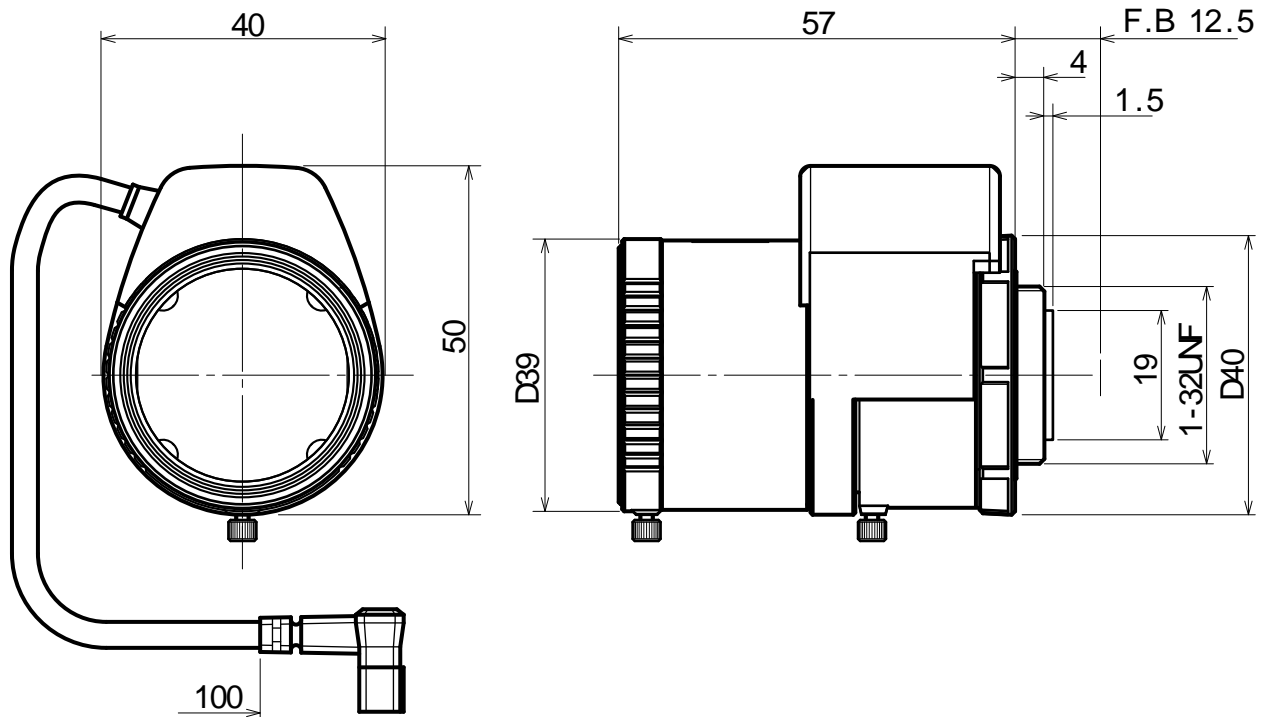
Image Size: $\frac{1}{3}$ $\frac{1}{4}$

Focal Length :	2.7- 12mm	Optical Back Focal Distance :	7.13mm(In Air)
Maximum Relative Aperture :	1:1.2	Flange Back:	12.5mm
Iris :	F1.2 - 360 (With ND Spot Filter)	Operation Voltage:	Close to Open : Less than 3V Open to Close : More than 0.5V
Angular Field of View :	97.4X72.4 deg.at 2.7mm 23.8X17.8 deg.at 12mm	Operation :	Focus : Manual Zoom : Manual Iris : IG(Auto Close System)
Image Format :	4.8X3.6mm(D6mm)	Operation Temperature :	-10 to +50°C
Minimum Object Distance :	0.3m(From Front Vertex)	Mount :	CS-Mount(Adjustable Lens Position)
Object Dimensions at M.O.D. :	89.8X67.4cm at 2.7mm 13.5X10.1cm at 12mm	Size, Weight :	D39X50X57mm, Approx. 72g

[COMPOSITION]

- Lens1
- Lens Cap1
- Dust Cap1

[DIMENSIONS]



Unit:mm

[CIRCUIT DIAGRAM]

