



BOSCH
Invented for life

DiBos 19 inch Digital Video Recorders - Version 8 (EMEA/APR)



- ▶ Hybrid analog/IP MPEG4 digital video recorder
- ▶ Models for 6, 12, 18, 24 and 30 analog cameras and up to 32 additional network cameras/video encoders
- ▶ View/record video at CIF/2CIF/4CIF resolution
- ▶ Web-browser remote access and viewing
- ▶ Camera tamper detection
- ▶ Control cameras and AutoDomes with Biphase or Bilinx
- ▶ DVD writer for exporting video clips
- ▶ Interfacing to Bosch alarm panels
- ▶ Remote Receiver Software included

DiBos uses Bosch's proven state of the art digital recording and communications technology and takes video surveillance to a new level. It is an integral part of overall security solutions for a wide range of applications – including banks, large retailers, railway stations, airports, city centers, industrial facilities, and office buildings.

Customers can retrieve vital images and share information faster than ever before. They can better assess critical situations and take action immediately. Whether they're on site or at a remote network location, authorized personnel have quick, convenient access to information so they can operate more effectively and efficiently.

DiBos supports live viewing and recording at resolutions up to 4CIF. Users can store images at up to 450/375 ips (NTSC/PAL) on 30 composite video inputs. As many as 10 audio data streams can also be recorded on 30 video channels units.

Users can connect up to 32 additional IP video sources. This includes support for Bosch IP cameras (MegaPixel, Dinion IP, FlexiDome IP, and AutoDome IP), Bosch MPEG4 network video encoders (VideoJet and VIP X Series), as well as JPEG images from numerous network camera manufacturers. DiBos can store up to 30/25 ips per attached network video device.

The system offers advanced features for viewing and very high flexibility in recording and image access. The real power of DiBos is fast, convenient accessibility to images and information. If required, accessibility to images and information is possible round the clock and everywhere all over the world. Communication and access to DiBos is possible via private or public networks. For these purposes the system can be connected to a variety of peripheral devices and systems.

The unique, scalable GUI allows live and recorded images from multiple remote systems to be viewed from a single PC or another DiBos. With this powerful tool, security managers can monitor and supervise various locations simultaneously.

Cameras and viewing modes can be programmed or selected manually. Each camera offers in-window pan/tilt/zoom functionality from local or remote facilities. Images are displayed with date/time, location, camera name and status of connected devices such as detectors and sensors.

DiBos can be programmed to respond to specific situations and events automatically. Minimal human intervention is necessary.

In response to alarms, the system can be programmed to transmit images or messages to security personnel or security control center.

Playback is easy thanks to familiar search and navigation functions in a tree structure. Images can be accessed locally or remotely via a company network or the Internet. The customer can select multiple different views from up to 30 cameras.

Fast, powerful image search functions eliminate time-consuming manual searches. Functions include search for image changes, search for criteria such as camera number, recording date/time, and optional ATM transaction data, e. g. credit card number, bank code, account number, and/or amount withdrawn.

To ensure high security, all access is controlled by user authorization. Profiles are assigned by the system administrator. Events, such as login, logoff, status changes, image transmission, and system shutdown are stored in a database. Video authentication is built in to ensure that DiBos images are not altered in any way.

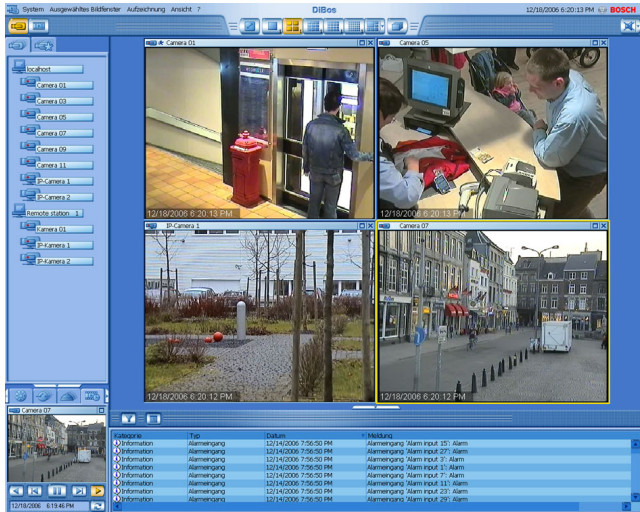
Various storage devices – such as external disk arrays, RAID and NAS devices, and external disk drives – may be used for export and backup of images.

DiBos supports Bilinx for pan/tilt/zoom and camera configuration via the video coax cable.

The configuration wizard makes installation quick and easy.

DiBos serial ports can be connected to Bosch alarm panels, ATM, Allegiant matrices and foyer card readers.

Live mode

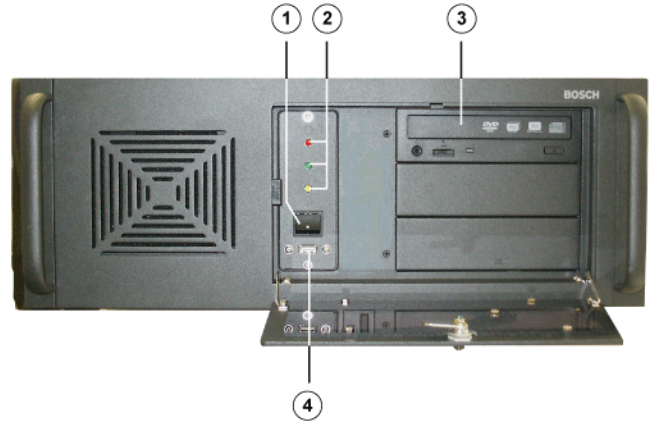


Playback mode



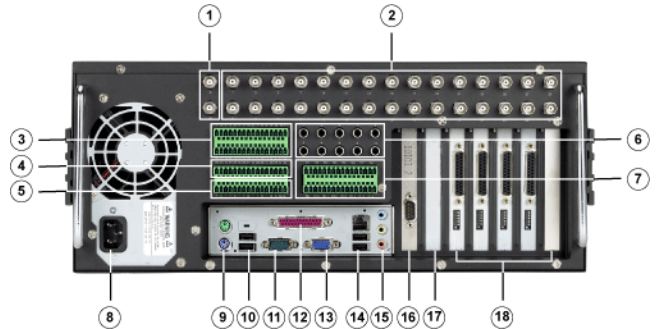
Installation/Configuration Notes

Front view:



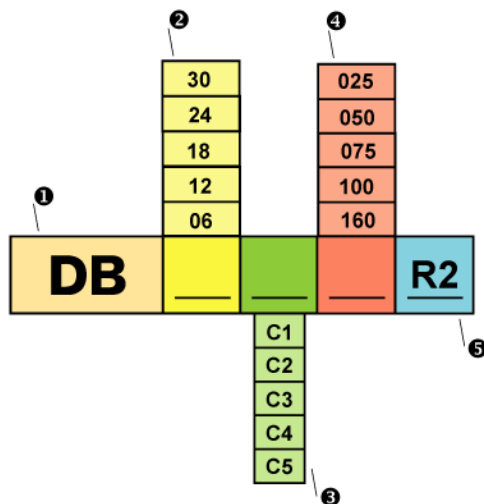
- 1 On/Off switch
- 2 Control lamps:
Yellow = unused
Red = Hard disk access
Green = system is switched on
- 3 DVD writer
- 4 USB 2.0

Rear view:



1	Video monitor A Videomonitor B	10	2x USB 2.0
2	Video inputs 1 - 30	11	Serial port COM1
3	Alarm inputs 1 - 21	12	Parallel interface (Dongle must be plugged in)
4	Alarm inputs 22- 32	13	VGA monitor
5	Biphase 1 - 4, malfunction out-puts 1	14	Ethernet (RJ45) 2x USB 2.0
6	Audio inputs 1 - 10	15	Line In (blue) Speaker Out (green) Microphone In (red), Mono
7	Relay outputs 1 - 16	16	Second serial port
8	Mains connection 100 / 240VAC, 50/60Hz (automatic switchover)	17	Free for optional PCI plug-in cards
9	Mouse (green) Keyboard (purple)	18	Grabbers 1 - 5

Ordering information:



- 1 Type DiBos
- 2 Number of analog camera inputs
- 3 C1 version with max. 6 camera inputs and 750 GB
C2 version with max. 12 camera inputs and 750 GB
C3 version with max. 18 camera inputs and 250, 500, 1000, 1600 GB
C4 version with max. 24 camera inputs and 250, 500, 1000, 1600 GB
C5 version with max. 30 camera inputs and 250, 500, 1000, 1600 GB
- 4 Disk size (x10 GB)
- 5 Version
R: Rack mount

E. g. : **DB 30 C5 160 R2**

30 channel DiBos with 1600 GB storage

Technical Specifications

Electrical

Compression Method	MPEG4																								
Camera Inputs (analog)	6 BNC connectors (DB 06 C1) 12 BNC connectors (DB 12 C2) 18 BNC connectors (DB 18 C3) 24 BNC connectors (DB 24 C4) 30 BNC connectors (DB 30 C5)																								
Camera Inputs (IP)	16 video/audio MPEG4 data streams from Bosch/VCS network or JPEG devices (DB 06 C1, DB 12 C2, DB 18 C3) 32 video/audio MPEG4 data streams from Bosch/VCS network or JPEG devices (DB 24 C4, DB 30 C5)																								
Composite video signal	1 Vpp, 75 Ohm																								
Video outputs (loop through)	Via breakout cable																								
Recording resolution (analog inputs)	PAL: 704 x 576 (4CIF), 704 x 288 Pixel (2CIF), 352 x 288 Pixel (CIF) NTSC: 704 x 480 (4CIF), 704 x 240 Pixel (2CIF), 352 x 240 Pixel (CIF)																								
Recording resolution (IP inputs - Bosch IP devices)	PAL: 704 x 576 (4CIF/D1), 704 x 288 (2CIF), 464 x 576 (2/3 D1), 352 x 576 (1/2 D1), 352 x 288 (CIF), 176 x 144 (QCIF) NTSC: 704 x 480 (4CIF/D1), 704 x 240 (2CIF), 464 x 480 (2/3 D1), 352 x 480 (1/2 D1), 352 x 240 (CIF), 176 x 120 (QCIF)																								
Recording rates (analog) for DiBos models	<table border="1"> <thead> <tr> <th>IPS CIF (PAL)</th> <th>IPS CIF (NTSC)</th> <th>IPS 2CIF (PAL)</th> <th>IPS 2CIF (NTSC)</th> </tr> </thead> <tbody> <tr> <td>DB 06 C1 xxx R2</td> <td>75</td> <td>90</td> <td>50</td> </tr> <tr> <td>DB 12 C2 xxx R2</td> <td>150</td> <td>180</td> <td>100</td> </tr> <tr> <td>DB 18 C3 xxx R2</td> <td>225</td> <td>270</td> <td>150</td> </tr> <tr> <td>DB 24 C4 xxx (S) R2</td> <td>300</td> <td>360</td> <td>200</td> </tr> <tr> <td>DB 30 C5 xxx (S) R2</td> <td>375</td> <td>450</td> <td>250</td> </tr> </tbody> </table>	IPS CIF (PAL)	IPS CIF (NTSC)	IPS 2CIF (PAL)	IPS 2CIF (NTSC)	DB 06 C1 xxx R2	75	90	50	DB 12 C2 xxx R2	150	180	100	DB 18 C3 xxx R2	225	270	150	DB 24 C4 xxx (S) R2	300	360	200	DB 30 C5 xxx (S) R2	375	450	250
IPS CIF (PAL)	IPS CIF (NTSC)	IPS 2CIF (PAL)	IPS 2CIF (NTSC)																						
DB 06 C1 xxx R2	75	90	50																						
DB 12 C2 xxx R2	150	180	100																						
DB 18 C3 xxx R2	225	270	150																						
DB 24 C4 xxx (S) R2	300	360	200																						
DB 30 C5 xxx (S) R2	375	450	250																						
Recording rates (analog) for DiBos models	<table border="1"> <thead> <tr> <th>IPS 4CIF (PAL)</th> <th>IPS 4CIF (NTSC)</th> </tr> </thead> <tbody> <tr> <td>DB 06 C1 xxx R2</td> <td>25</td> </tr> <tr> <td>DB 12 C2 xxx R2</td> <td>50</td> </tr> <tr> <td>DB 18 C3 xxx R2</td> <td>75</td> </tr> <tr> <td>DB 24 C4 xxx (S) R2</td> <td>100</td> </tr> <tr> <td>DB 30 C5 xxx (S) R2</td> <td>125</td> </tr> </tbody> </table>	IPS 4CIF (PAL)	IPS 4CIF (NTSC)	DB 06 C1 xxx R2	25	DB 12 C2 xxx R2	50	DB 18 C3 xxx R2	75	DB 24 C4 xxx (S) R2	100	DB 30 C5 xxx (S) R2	125												
IPS 4CIF (PAL)	IPS 4CIF (NTSC)																								
DB 06 C1 xxx R2	25																								
DB 12 C2 xxx R2	50																								
DB 18 C3 xxx R2	75																								
DB 24 C4 xxx (S) R2	100																								
DB 30 C5 xxx (S) R2	125																								
Recording rates per channel (video inputs analog)	PAL: 0,5; 1; 2; 3; 4; 5; 6; 8; 12,5; 25 ips NTSC: 0,5; 1; 2; 3; 5; 6; 7,5; 10; 15; 30 ips																								
Image size (video inputs analog)	Configurable from approx. 1.5 kB to 30 kB																								
Maximum data input rate (analog and IP)	50 Mbit per second																								

Recording rates per channel (video inputs IP)	PAL: 0,5; 1; 2; 3; 4; 5; 6; 8; 12,5; 25 ips NTSC: 0,5; 1; 2; 3; 5; 6; 7,5; 10; 15; 30 ips
Image size (video inputs IP)	Configurable bit streams up to 3 MBit per camera
Supported single channel encoders Bosch VideoJet Series and Bosch VIP Series	VJ10S, VJ 1000 VIP X1, VIP 10
Supported multi channel encoders Bosch VideoJet Series and Bosch VIP Series	VJ 8004, VJ 8004A VJ 8008, VJ 8008A VIP X2, VIP X2A VIP X1600
Supported IP cameras	Dinion IP, AutoDome IP, MegaPixel and Flexi-Dome IP
Supported JPEG cameras from other manufacturers	For further information please contact Bosch Security Systems
Audio Inputs	2, 4, 6, 8, 10, cinch connector, line in signal, 16 KHz sampling rate
Audio Outputs	1, line out signal, 1/8" mini-plug (3,5 mm)
Alarm Inputs (NO / NC)	32 Switching voltage (high): >2 VDC Switching voltage (low): <0,5 VDC Input voltage: max. 40 VDC Impedance: 22 kOhm pull up (+5 V)
Malfunction relay output	1 Voltage range: 30 VAC - 40 VDC Switching current: max. 500 mA AC or DC Switching power: max. 10 VA
Relay Outputs (NO / NC)	16 Voltage range: 30 VAC - 40 VDC Switching current: max. 500 mA AC or DC Switching power: max. 10 VA
Spot monitor output	2 CVBS outputs for full screen or sequences from connected analog cameras
Bilinx control	For AutoDome control and Dinion camera configuration via coax
PTZ control	Bilinx: Via coax cable, up to 30 AutoDome units. Biphase: Up to 16 AutoDome units. RS 232: Protocols from Bosch, Panasonic, Pelco (D-Protocol), JVC, SAE are supported. RS 232: Via Console Port of any Allegiant matrix.
Storage capacity (internal hard disk)	250 GB, 500 GB, 750 GB, 1000 GB, 1600 GB (8 GB are needed for the operating system and video system software)
Video output	1x VGA
Ethernet	10/100/1000Base-T, bandwidth-limited
CPU	Intel P4 (min. 3 GHz)
RAM	1024 MB
RS 232	2
USB 2.0	5
DVD writer	Included; supported medias: DVD-R, DVD+R
Power supply	100 / 240 VAC, 50 / 60 Hz (auto switch)

Typical power consumption	approx. 150 W
Power consumption	max. 210 W
Operating system	Microsoft Windows® XP Embedded
Web Browser	Microsoft Internet Explorer 6 or higher, on Windows 2000 or Windows® XP
Export of video/audio datas	DiBos-format or ASF-format on DVD-R/DVD+R, USB-device or network drive
Image Printer	via USB (with Windows XP drivers)

Mechanical facilities

Dimensions (H x W x D)	17,5 x 48,0 x 54,5 cm (7 x 19 x 21.5 inch)
Weight	16 - 20.4 kg (25 - 55 lb), dependent on model

Environmental conditions

Operating temperature	+5 °C to +40 °C (41 ° to 104 °F)
Storage temperature	-10 °C to +60 °C (-14 °F to 140 °F)
Relative humidity in operation	15% to 80%, no condensation
Relative humidity when stored	8% to 80%, no condensation

Electromagnetic Compatibility (EMC)

• USA	FCC Part 15, Class A
• EU	EMC Directive 89/336/EEC Interference immunity: Conformance with EN 50130-4 requires an external UPS. The product is tested according to EN 50130-4, with the exception of voltage interruption to EN 50130-4:1995 Chapter 3/8/04. To comply with EN 50130-4, an external UPS is required. The UPS (Pulsar ellipse 500) is not contained in the product and must be ordered separately. The UPS should be dimensioned for at least 480 VA. Interference emission: EN 55022, Class B Mains power fluctuations: EN 61000-3-2 Voltage fluctuations: EN 61000-3-3

Safety

• USA	UL60950 Third edition (2000) CAN/CSA 22.2 No.60950-00, Third edition (2000)
• EU	EN 60950: 2000
Warranty	3 years
Approved anti virus software	Norton Anti Virus McAfee Virus Scan Trend Micro

Minimum requirements for computer with DiBos Micro receiver software/IP recorder (in brackets recommended requirements)

Operating system	Windows XP Professional
CPU	2 GHz, Pentium® 4 (3 GHz, Pentium® 4 with Hyper Threading)
RAM	512 MB (1024 MB)
VGA card	1024 x 768, 32-Bit color depth (DirectX 9 Hardware Support, no shared memory)
USB-connector	for dongle

Windows® and Windows®xp, are registered trademarks of Microsoft Corporation.

Intel Pentium® and Celeron® are registered trademarks of Intel Corporation.

Ordering Information

DB 06 C1 075 R2 DiBos Digital Video Recorder 6 channel DiBos with 750 GB HDD, DVD writer, 16 IP devices.	DB06C1075R2
DB 12 C2 075 R2 DiBos Digital Video Recorder 12 channel DiBos with 750 GB HDD, DVD writer, 16 IP devices.	DB12C2075R2
DB 18 C3 025 R2 DiBos Digital Video Recorder 18 channel DiBos with 250 GB HDD, DVD writer, 16 IP devices.	DB18C3025R2
DB 18 C3 050 R2 DiBos Digital Video Recorder 18 channel DiBos with 500 GB HDD, DVD writer, 16 IP devices.	DB18C3050R2
DB 18 C3 100 R2 DiBos Digital Video Recorder 18 channel DiBos with 1000 GB HDD, DVD writer, 16 IP devices.	DB18C3100R2
DB 18 C3 160 R2 DiBos Digital Video Recorder 18 channel DiBos with 1600 GB HDD, DVD writer, 16 IP devices.	DB18C3160R2
DB 24 C4 025 R2 DiBos Digital Video Recorder 24 channel DiBos with 250 GB HDD, DVD writer, 32 IP devices.	DB24C4025R2
DB 24 C4 050 R2 DiBos Digital Video Recorder 24 channel DiBos with 500 GB HDD, DVD writer, 32 IP devices.	DB24C4050R2
DB 24 C4 100 R2 DiBos Digital Video Recorder 24 channel DiBos with 1000 GB HDD, DVD writer, 32 IP devices.	DB24C4100R2

Ordering Information

DB 24 C4 160 R2 DiBos Digital Video Recorder 24 channel DiBos with 1600 GB HDD, DVD writer, 32 IP devices.	DB24C4160R2
DB 30 C5 025 R2 DiBos Digital Video Recorder 30 channel DiBos with 250 GB HDD, DVD writer, 32 IP devices.	DB30C5025R2
DB 30 C5 050 R2 DiBos Digital Video Recorder 30 channel DiBos with 500 GB HDD, DVD writer, 32 IP devices.	DB30C5050R2
DB 30 C5 100 R2 DiBos Digital Video Recorder 30 channel DiBos with 1000 GB HDD, DVD writer, 32 IP devices.	DB30C5100R2
DB 30 C5 160 R2 DiBos Digital Video Recorder 30 channel DiBos with 1600 GB HDD, DVD writer, 32 IP devices.	DB30C5160R2

Accessories

DB EK 012 CS English Keyboard and Czech Manuals (only EMEA)	DBEK012CS
DB EK 012 DA English Keyboard and Danish Manuals (only EMEA)	DBEK012DA
DB EK 012 DE German Keyboard and German Manuals (only EMEA)	DBEK012DE
DB EK 012 EL English Keyboard and Greek Manuals (only EMEA)	DBEK012EL
DB EK 012 EN English Keyboard and English Manuals	DBEK012EN
DB EK 012 ES English Keyboard and Spanish Manuals (only EMEA)	DBEK012ES
DB EK 012 FI English Keyboard and Finnish Manuals (only EMEA)	DBEK012FI
DB EK 012 FR French Keyboard and French Manuals (only EMEA)	DBEK012FR
DB EK 012 HU English Keyboard and Hungarian Manuals (only EMEA)	DBEK012HU
DB EK 012 IT English Keyboard and Italian Manuals (only EMEA)	DBEK012IT
DB EK 012 NL English Keyboard and Dutch Manuals (only EMEA)	DBEK012NL
DB EK 012 NO English Keyboard and Norwegian Manuals (only EMEA)	DBEK012NO
DB EK 012 PL English Keyboard and Polish Manuals (only EMEA)	DBEK012PL
DB EK 012 PT English Keyboard and Portuguese Manuals (only EMEA)	DBEK012PT
DBEK012RU English Keyboard and Russian Manuals (only EMEA)	DBEK012RU

Ordering Information

DB EK 012 SV Swedish Keyboard and Swedish Manuals (only EMEA)	DBEK012SV
DBEK 012 TR English Keyboard and Turkish Manuals (only EMEA)	DBEK012TR
DB EK 021 SCSI Card Adapter and SCSI Cable Built in the factory. Included SCSI cable. Di-Bos Micro: Only for DB 06, due to required PCI slot. DiBos 19 inch: Not for DB 30 C5 100 R2 and DB 30 C5 160 R2, due to required PCI slot.	DBEK021
DB EK 061 SCSI Card Adapter and SCSI Cable Expansion. Included SCSI cable. DiBos Micro: Only for DB 06, due to required PCI slot. Di-Bos 19 inch: Not for DB 30 C5 100 R2 and DB 30 C5 160 R2, due to required PCI slot.	DBEK061
DB SE 013 ATM Kit up to 4 ATM Up to 4 ATM. Included ATM interface box DTP3, connection cable DiBos - DTP3, software unlock of 4 ATM and 4 foyer card readers and bank code lock. Consult your local Bosch Security Systems Sales office for further information concerning ATM protocols.	DBSE013
DB SE 014 ATM Kit up to 2 ATM Up to 2 ATM. Included ATM interface box DTP3, connection cable DiBos - DTP3, software unlock of 2 ATM and 4 foyer card readers and bank code lock. Consult your local Bosch Security Systems Sales office for further information concerning ATM protocols.	DBSE014
DB EK 016 DO ATM Upgrade Kit for DTP3 Expansion from 2 ATM to 4 ATM.	DBEK016DO
DB EK 711 ISDN Package (only EMEA) Requires one free PCI slot.	DBEK711ISDN
DB SE 041 Tele Service Package for DiBos (only EMEA) PC Anyware Host Version 10.5	DBSE041
DB EK 831 OVS Interface Converter OVS RS 485/RS 232 interface converter.	DBEK831OVS
DB EK 823 9M Connection Cable 9-pole, between DTP3 and OVS	DBEK8239M
DB EK 721 RS 232 PCI Interface Expansion for RS 232 (only EMEA) PCI card for 2x RS 232. Requires one free PCI slot.	DBEK721RS232
DB EK 211 DCF Radio Clock Receiver DCF-77 (only EMEA) Requires one free RS 232 interface.	DBEK211DCF
DB EK 211 DCFC Extension Cable 50 m for DCF-77 (only EMEA)	DBEK211DCFC

Ordering Information

DB EK 201 UPS Uninterruptable Power Supply UPS (only EMEA)	DBEK201UPS
DB EK 031 Internal Modem Card (only EMEA) PCI modem card (not DB 30 C5 100 and DB 30 C5 160).	DBEK031
Software Options	
DB SE 031 Software Interface to Bosch Alarm Panels Connection via RS 232 to Bosch G Series, UGM 2020, UEZ 2000/1000, BZ 500, NZ/BZ 1060, NZ/BZ 1012, NZ 1008.	DBSE031
DB SR 002 Receiver Software DiBos receiver software for Win XP PC. Includes USB dongle. No recording of network cameras/network video encoder.	DBSR002
DB SR 002-5 Receiver Software, 5 pack DiBos receiver software for Win XP PC. Includes 5 USB dongles. No recording of network cameras/network video encoder.	DBSR002-5P
DB SR 162 Receiver Software/IP Recorder DiBos receiver software for Win XP PC. Includes USB dongle. Recording up to 16 network cameras/network video encoder.	DBSR162
DB SR 322 Receiver Software/IP Recorder DiBos receiver software for Win XP PC. Includes USB dongle. Recording up to 32 network cameras/network video encoder.	DBSR322

Europe, Middle East, Africa:
Bosch Security Systems B.V.
P.O. Box 80002
5600 JB Eindhoven, The Netherlands
Phone: +31 40 2577 284
Fax: +31 40 2577 330
emea.securitysystems@bosch.com
www.boschsecurity.com

Americas:
Bosch Security Systems, Inc.
130 Perinton Parkway
Fairport, New York, 14450, USA
Phone: +1 800 289 0096
Fax: +1 585 223 9180
security.sales@us.bosch.com
www.boschsecurity.us

Asia-Pacific:
Bosch Security Systems Pte Ltd
38C Jalan Pemimpin
Singapore 577180
Phone: +65 6319 3450
Fax: +65 6319 3499
apr.securitysystems@bosch.com
www.boschsecurity.com

Represented by