



VIP X1 Single-channel Video Encoder



- ▶ Single-channel encoder
- ▶ High-quality MPEG-4
@ full D1/4CIF/2CIF/Half D1/CIF/QCIF
- ▶ Storage-efficient Dual Streaming
- ▶ Ultra-compact size
- ▶ Multicast & Internet streaming
- ▶ Alarm inputs & relay output
- ▶ FastEthernet interface
- ▶ Serial data port
- ▶ Audio and PoE models

The VIP X1 features DVD like quality MPEG-4 video, at up to 30 images per second, over IP networks.

This unit supports PAL/NTSC sources.

The video signal can be received and displayed with a standard web browser or VIDOS video management software. Using the VIP XD or any other Bosch MPEG-4 decoder, you can integrate point-to-point connections into your system, to display video from any VIP or VideoJet encoder on analog monitors.

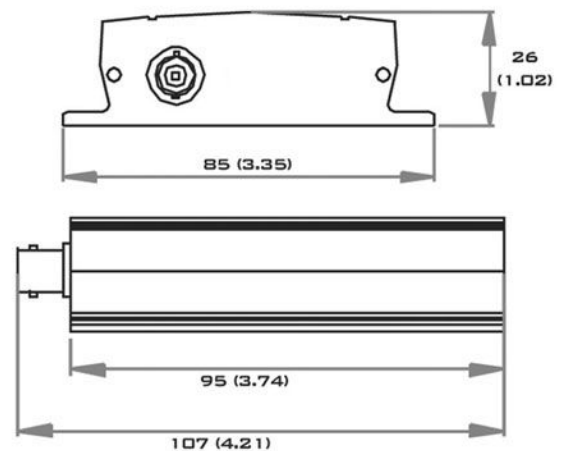
The audio models of the VIP X1 provide bidirectional audio communication in parallel to video. Besides the standard line level interface, built in amplifiers allow direct connection to microphone and speaker.

The VIP X1 Power-over-Ethernet models can be powered via the network cable.

The VIP X1 provides Dual Streaming. It is able to generate two independently configurable MPEG-4 video streams.

The VIP X1 is ultra-compact, so it is perfect for any application that depends on space-saving solutions.

Installation/Configuration Notes



Dimensions in mm (inches)



Front view VIP X1, none audio models

- 1 Video In 1



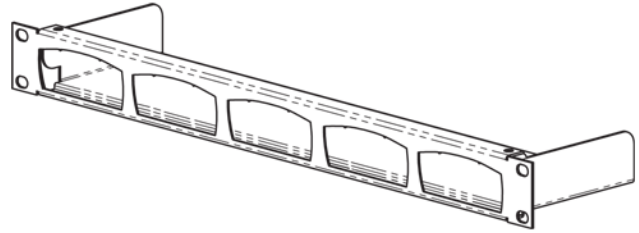
Front view VIP X1 Audio models

- 1 Video In 1
- 2 Line In
- 3 Microphone In , Speaker Out
- 4 Line out



Rear view all models

- 1 USB port
- 2 Reset: Factory Default
- 3 Alarm in, Relay out, Power, COM (RS232/422/485)
- 4 LED Power
- 5 LED Link
- 6 LED Traffic
- 7 10/100 Base-T Fast Ethernet



Rack mount kit (optional)

Parts Included

Quantity	Component
1	VIP X1 encoder
1	international plug-in power supply
1	RS-232 null modem cable
1	Quick Installation Guide
1	CD-ROM containing manual, software and tools

Technical Specifications

Electrical

Video Standards	MPEG-4
Video Data Rate	9.6 Kbps - 6 Mbps
Video Resolution	704 x 576/480 (D1/4CIF: 25/30 IPS) 704 x 288/240 (2CIF: 25/30 IPS) 352 x 576/480 (Half D1: 25/30 IPS) 352 x 288/240 (CIF: 25/30 IPS) 176 x 144/120 (QCIF: 25/30 IPS)
GOP Structure	I, IP
Overall Delay (IP)	MPEG-4: 120 ms
Network Protocols	RTP, Telnet, UDP, TCP, IP, HTTP, IGMP V2, ICMP, ARP, SNMP
Software Update	Flash ROM, remote programmable
Configuration	Via web browser, built-in web server
Interfaces	
Video In	1x analog composite: NTSC/PAL; BNC connector 75 Ohm switchable, 0.7 - 1.2 Vp-p
Alarm In	4x (non-isolated closure contact type), max. activation resistance 10 Ohm
Relay Out	1x, 30 Vp-p, 2 A
Connectors	14 position spring clamp contact for alarm, relay and COM port
COM Port	1x RS-232/422/485, spring clamp contacts
USB Port	1x 2.0 external interface*
Ethernet	10/100 Base-T, auto-sensing, half/full duplex, RJ-45
Audio Models	
Audio Standard	VIP X1A, VIP X1AP
Audio Data Rate	G.711; 300 Hz - 3.4 kHz
Audio Sampling Rate	80 kBit/s
Audio Sampling Rate	8 kHz
Line In	Single channel via stereo jack 3.5 mm, 9 kOhm typ., 5.5 Vpp max.
Line Out	Single channel via stereo jack 3.5 mm, 16 Ohm min., 3 Vpp max.
Microphone In	CombiCon plug, 2kOhm typ., 2.8 Vpp max. -20dB, supply 2.3 V typ.
Speaker Out	CombiCon plug, 4 Ohm min., 6 Vpp max., power RMS 1 W
PoE Models	
Power-over-Ethernet (PoE)	VIP X1P, VIP X1AP 802.11af, class 2

Environmental

Input Voltage	12 - 24 VDC, spring clamp contact
Power Consumption	Approx. 6 VA
Power Supply	VIPXPS111022 included in the box

Weight	Approx. 0.17 kg (0.37 lb)
Operating Temp	0°C - 50°C (32°F - 122°F) ambient temperature
Humidity	20 - 80%, atmospheric humidity (not cond.)
Complies with	CE: IEC 60950; UL 1950; AS/NZS 3548; EN 55103-1, -2; EN 50130-4; EN 55022; EN 55024; EN 61000-3-2; EN 61000-3-3; FCC 47 CFR Ch.1 Part 15

* future use

Ordering Information

Model | Description

VIPX1	MPEG-4 dual-stream 1 ch encoder, USB, serial I/O, alarm in, relay
VIP X1A	MPEG-4 dual-stream 1 ch transmitter, USB, audio, serial I/O, alarm in, relay
VIP X1P	MPEG-4 dual-stream 1 ch transmitter, USB, PoE, serial I/O, alarm in, relay
VIP X1AP	MPEG-4 dual-stream 1 ch transmitter, USB, audio, PoE, serial I/O, alarm in, relay

Hardware Accessories

VIPRMK1HU	VIP X/10/1000 Rack Mount Kit (5 units in 1HU)
VIPXPS111022	Power supply

Americas:
Bosch Security Systems
130 Perinton Parkway
Fairport, New York, 14450, USA
Phone: +1 585 223 4060
Fax: +1 800 289 0096
security.sales@us.bosch.com
www.boschsecurity.us

Europe, Middle East, Africa:
Bosch Security Systems B.V.
P.O. Box 80002
5600 JB Eindhoven, The Netherlands
Phone: +31 (0) 40 27 83955
Fax: +31 (0) 40 27 86668
emea.securitysystems@bosch.com
www.boschsecurity.com

Asia-Pacific:
Bosch Security Systems Pte Ltd
38C Jalan Pemimpin
Singapore 577180
Phone: +65 6319 3450
Fax: +65 6319 3499
apr.securitysystems@bosch.com
www.boschsecurity.com

Represented by