

LTC 0620 Series Dinion^{XF} Day\Night Cameras



Security Systems



- 15-bit DSP Technology
- Superb sensitivity
- Mechanically switching IR filter for IR sensitivity at night
- XF-Dynamic for unsurpassed wide dynamic range
- Bilinx Communication for remote set-up and control
- Default Shutter eliminates motion blurring
- Four area video motion detection
- 540 TVL resolution

The LTC 0620 High Performance 1/2-inch Digital CCD Day/Night Camera ensures the highest image quality possible at any time. Depending on the available light the camera will automatically switch from color to monochrome.

A unique combination of 15-bit digital video processing that enhances sensitivity and XF-Dynamic which extends the dynamic range provides a sharper, more detailed image with outstanding accuracy in color reproduction.

All Dinion cameras are supplied ready to operate. Simply attach and focus the lens, then connect power. No tools are required for back focus and power connection. For especially challenging situations where fine tuning or special settings are required, the camera parameters can be individually set using the control buttons on the side of the camera and On-screen Display (OSD). The camera automatically detects the lens type. The Lens Wizard ensures accurate back-focusing for perfectly sharp pictures at all times.

Functions

XF-Dynamic

The highly accurate 15-bit digital signal is automatically processed to optimally capture the detail in both the high and low light areas of the scene simultaneously, maximizing the information visible in the picture.

Bilinx Technology

Bilinx is a bi-directional communication capability embedded in the video signal of all Bosch Dinion cameras. Technicians can check status, change camera settings and even update firmware from virtually anywhere along the video cable. Bilinx reduces service and installation time, provides for more accurate set-up and adjustment, and improves overall performance. In addition, Bilinx uses the standard video cable to transmit alarm and status messages, providing superior performance without additional installation steps.

Video Motion Detection

The built-in video motion detector allows you to select up to four fully programmable areas with individual thresholds. The global scene change detector minimizes false alarms caused by sudden lighting condition changes, such as switching on or off the indoor or security lighting. When motion is detected alarms may be displayed in the video signal while the output relay can be closed in addition to alarm message transmission on Bilinx.

Auto Black

The automatic black level feature enhances contrast by compensating for reduced contrast (i.e. glare, fog, mist).

Default Shutter

The LTC 0620 features a fast, default shutter speed in sufficient lighting conditions to capture moving objects. When light levels fall and other adjustments have been exhausted, the shutter speed reverts to the standard setting to maintain sensitivity.

Back Light Compensation (BLC)

Offering a fully programmable BLC area of interest, and a variable BLC level, the camera can be easily set up for even the most challenging entrance applications.

Lens Wizard

The Lens Wizard automatically detects the lens type and helps focus the lens at the maximum opening to ensure proper focus is maintained throughout the 24-hour cycle. No special tools or filters are required.

Programmable Modes

Three independent, preprogrammed operating modes support typical applications, but are fully programmable for individual situations. Switching between modes is easy via Bilinx or the external alarm input.

Day/Night Mode

The Day/Night Mode LTC 0620 provides enhanced night viewing by increasing the IR sensitivity. The IR filter can switch from color to monochrome automatically by either sensing the illumination level or via the alarm input. The filter can be switched manually via the alarm input, through the camera menu or via the Bilinx coaxial control interface. An internal through the lens IR detector enhances the monochrome mode stability, as it prevents reverting to the color mode when IR illumination is dominant.

SensUp

By increasing the integration time on the CCD up to 10 times, the effective sensitivity is dramatically enhanced. This is especially useful when relying only on moonlight for illumination.

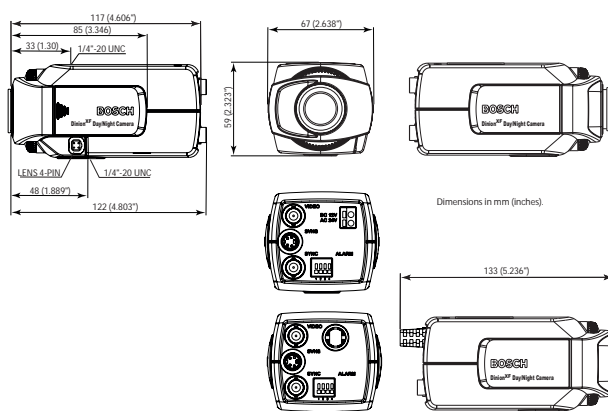
Parts Included

| Quantity | Component |
|----------|--------------------------------------|
| 1 | LTC 0620 Series Dinion ^{XF} |
| 1 | C/CS – mount conversion ring |
| 1 | Spare male 4-pin lens connector |

Certifications and Approvals

| Electro Magnetic Compatibility | |
|--|--|
| Emission | EN55022 class B, FCC class B part 15 |
| Immunity | EN50130-4 Alarm Systems, Part 4 |
| Vibration | Camera with 500 gr (1.1 lbs) lens according to IEC60068-2-27 |
| Safety | |
| EN60065 (/10 and /50 models) | |
| UL6500, cUL CAN/CSA E60065-00 (/20 and /60 models) | |

Installation/Configuration Notes



Dimensions in mm (inches)

| Technical Specifications | |
|--|---|
| Electrical | |
| Model No. | Rated Voltage |
| LTC 0620/11 | 12 – 28 VAC 45 – 65 Hz 11 – 39 VDC |
| LTC 0620/21 | 12 – 28 VAC 45 – 65 Hz 11 – 39 VDC |
| LTC 0620/51 | 85 – 265 VAC 45 – 65 Hz |
| LTC 0620/61 | 85 – 265 VAC 45 – 65 Hz |
| Power Consumption | 4 W |
| Imager | Interline transfer CCD 1/2-inch image format |
| Active Pixels | |
| PAL Model | 752 H x 582 V |
| NTSC Model | 768 H x 492 V |
| Sensitivity (3200 k) | |
| Sensitivity (Full video) ¹⁾ | 1.4 lux (0.14 fc) |
| Sensitivity 50 IRE ¹⁾ | 0.31 lux / 0.052 lux (0.031 fc / 0.0052 fc) (Monochrome Mode) |
| Minimum illumination ¹⁾ | 0.18 lux / 0.024 lux (0.018 fc / 0.0025 fc) (Monochrome Mode) |
| Minimum Illumination with SensUp | 0.018 lux / 0.0024 lux (0.0018 fc / 0.00024 fc) (Monochrome Mode) |
| Horizontal Resolution | 540 TVL |
| Signal-to-Noise-Ratio | > 50 dB |
| Video Output | 1 Vpp, 75 ohm |
| Y/C Output | Y: 1 Vpp / C: 0.3 Vpp |
| Synchronization | Internal, Line Lock, HV-lock and Genlock (Burst lock) selectable |
| Shutter | Auto (1/60 (1/50) to 1/500000), fixed, flickerless, default |
| Sensitivity up | Off, automatic continuous up to 10x |
| Auto Black | On, off selectable |
| Range | 32x dynamic range enhancement |
| Noise Reduction | Auto, off selectable |
| Contour | Sharpness enhancement level selectable |
| BLC | Off, area and level selectable |
| Gain | Auto (maximum level selectable to 28 dB) or fixed level selectable |
| Lens Mount | CS (max lens protrusion 5 mm, 0.2 inch) |
| White Balance | ATW (2500 - 10000 K), AWB hold, manual WB selectable |
| VMD | 4 area, sensitivity selectable |
| Alarm Output | VMD or Bilinx |
| Alarm Input (TTL) | Profile switching, +5 V nominal, +40 VDC max. |
| Alarm Output Relay | max. 30 VAC or +40 VDC, max. 0,5 A continuous, 10 VA |
| External Synchronal Input | 75 ohm or high impedance selectable |

| Electrical | |
|--------------------|--|
| Cable Compensation | Up to 1000 m (3000 ft) coax without external amplifiers (automatic set-up in combination with coaxial communication) |
| Camera ID | 16 character editable string, position selectable |
| Lens Types | Manual, DC- and Video-iris auto-detect with override DC-iris drive: max. 50 mA continuous Videoiris: 11.5 ± 0.5 VDC, max. 50 mA continuous |
| Remote Control | Bilinx coaxial communication |

1) F/1.2, 89% reflection, SenseUp off

| Mechanical | |
|------------------------|--|
| Dimensions (H x W x L) | 59 x 67 x 122 mm (2.28 x 2.6 x 4.8 inch) without lens |
| Weight | 450 g (0.99 lbs) without lens |
| Tripod Mount | Bottom (isolated) and top 1/4-inch 20 UNC |
| Controls | OSD with softkey operation |

| Environmental | |
|-----------------------|--------------------------------------|
| Operating Temperature | -20 °C to +50 °C (-4 °F to +122 °F) |
| Storage Temperature | -25 °C to +70 °C (-13 °F to +158 °F) |
| Operating Humidity | 20% to 93% RH |
| Storage Humidity | up to 98% RH |

Ordering Information

Model & Description

LTC 0620/11 Dinion^{XF} Day/Night Camera

1/2-inch, high performance, 540 TVL, DSP, 12 – 28 VAC/
11 – 39 VDC, 45 – 65 Hz

LTC 0620/21 Dinion^{XF} Day/Night Camera

1/2-inch, high performance, 540 TVL, DSP, 12 – 28 VAC/
11 – 39 VDC, 45 – 65 Hz

LTC 0620/51 Dinion^{XF} Day/Night Camera

1/2-inch, high performance, 540 TVL, DSP, 85 – 265 VAC,
45 – 65 Hz

LTC 0620/61 Dinion^{XF} Day/Night Camera

1/2-inch, high performance, 540 TVL, DSP, 85 – 265 VAC,
45 – 65 Hz

Hardware Accessories

LTC 3764/20 Varifocal Lens

1/2-inch, 4 – 12 mm, DC-iris, C-mount, F/1.2-360, 4 pin

LTC 3774/30 Varifocal Lens

1/2-inch, 10 – 40 mm, DC-iris, C-mount, F/1.4-360, 4-pin

LTC 3783/50 Varifocal Lens

1/2-inch, 8.5 – 85 mm, video-iris, C-mount F/1.6-360, 4-pin

LTC 3793/50 Varifocal Lens

1/2-inch, 8 – 144 mm, video-iris, C-mount, F/1.6-360, 4-pin

TC 120PS Power Supply Unit

110-120 VAC/15 VDC, 50/60 Hz, 300mA

TC 220PS Power Supply Unit

230 VAC/15 VDC, 50 Hz, 10 VA

TC 220PSX-24 Power Supply Unit

230 VAC/20 VAC, 50 Hz, 20 VA

TC 1334 Power Supply Unit

120 VAC/24 VAC, 60 Hz, 30 VA

Software Options

VP-CFGSFT Configuration Software

for cameras using Bilinx, includes VP-USB Adaptor

Americas:

Bosch Security Systems
130 Perinton Parkway
Fairport, New York, 14450, USA
Phone:+1 585 223 4060
+1 800 289 0096
security.sales@us.bosch.com
http://www.boschsecurity.us

Europe, Middle East, Africa:

Bosch Security Systems B.V.
P.O. Box 80002
5600 JB Eindhoven, The Netherlands
Phone:+31 (0) 40 27 83955
Fax:+31 (0) 40 27 86668
emea.securitysystems@bosch.com
http://www.boschsecurity.com

Asia-Pacific:

Bosch Security Systems Pte Ltd
38C Jalan Pemimpin
Singapore 577180
Phone:+65 6319 3450
Fax:+65 6319 3499
apr.securitysystems@bosch.com
http://www.boschsecurity.com

BOSCH